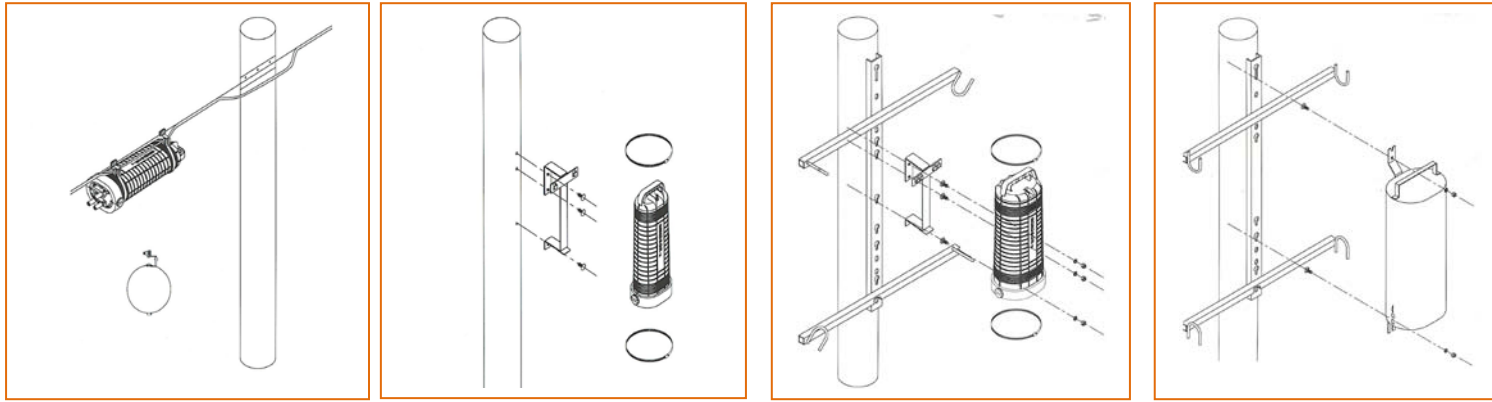


Mounting Options

OPTION #	PART #	DESCRIPTION
1	790-AB	Aerial Hanging Bracket Adjustable
2	700-VCB	Vertical Closure Bracket
3A	790-CB/VCB	Coil Storage Bracket 60" Used for OPGW W/ Vertical
3B	790-CB3/VCB	Coil Storage Bracket 30" Used for ADSS /w/ Vertical
4	790-CB/BRC	Coil Storage Bracket 60" W/ Bullet Resistant Canister



Option 1

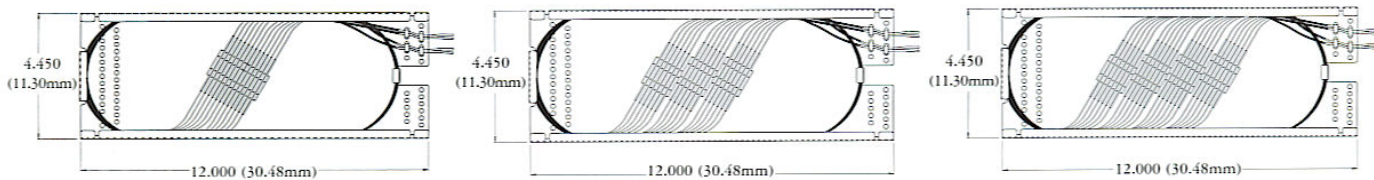
Option 2

Option 3A & B

Option 4

Splice Tray Options

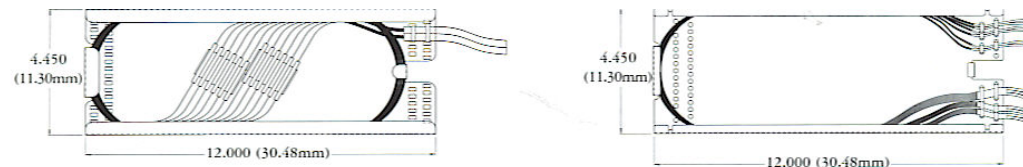
OPTION #	PART #	DESCRIPTION	WEIGHT
1	205-12	Splice Tray 12 Fiber W/ Heat Shrink Fusion Chip	.6
2	205-18	Splice Tray 18 Fiber W/ Heat Shrink Fusion Chip	.6
3	205-24	Splice Tray 24 Fiber W/ Heat Shrink Fusion Chip	.7
4	205-144	Splice Tray 144 Ribbon Fiber W/ Heat Shrink Fusion Chip	.8
5	205-14TT	Transition Tray for Separating Fibers W/IA Buffer Tube	.8
		Transition Tray for Separating Ribbon Fibers for Single	.8
1.2.3.	100-02	Heat Shrink fusion Sleeve 2.375" in Length	.2
4	100-02F	Mass Fusion Sleeve for Ribbon Fiber 1.5" in Length	.1



Option 1

Option 2

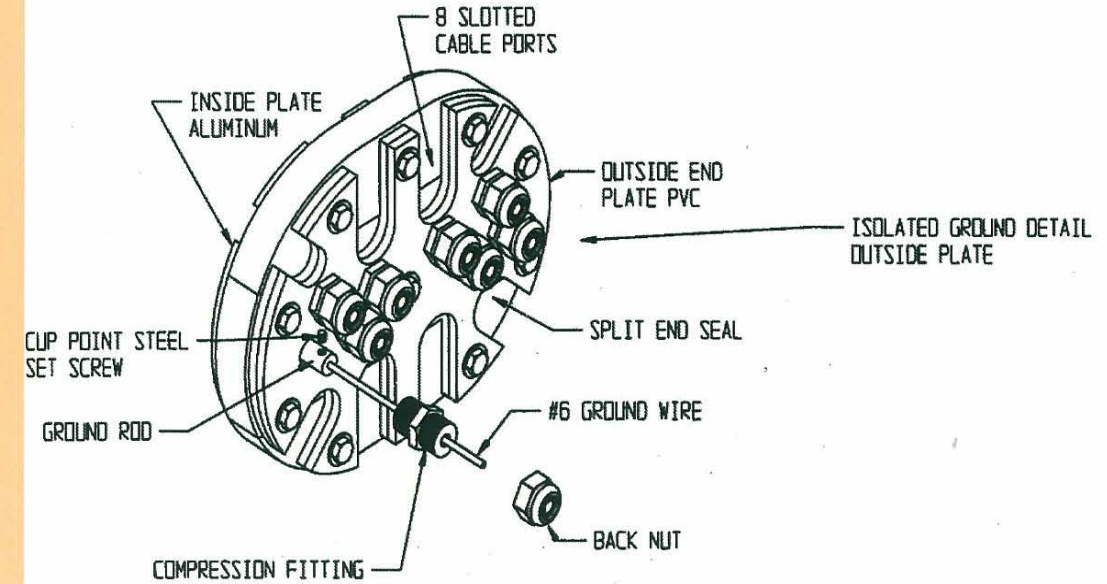
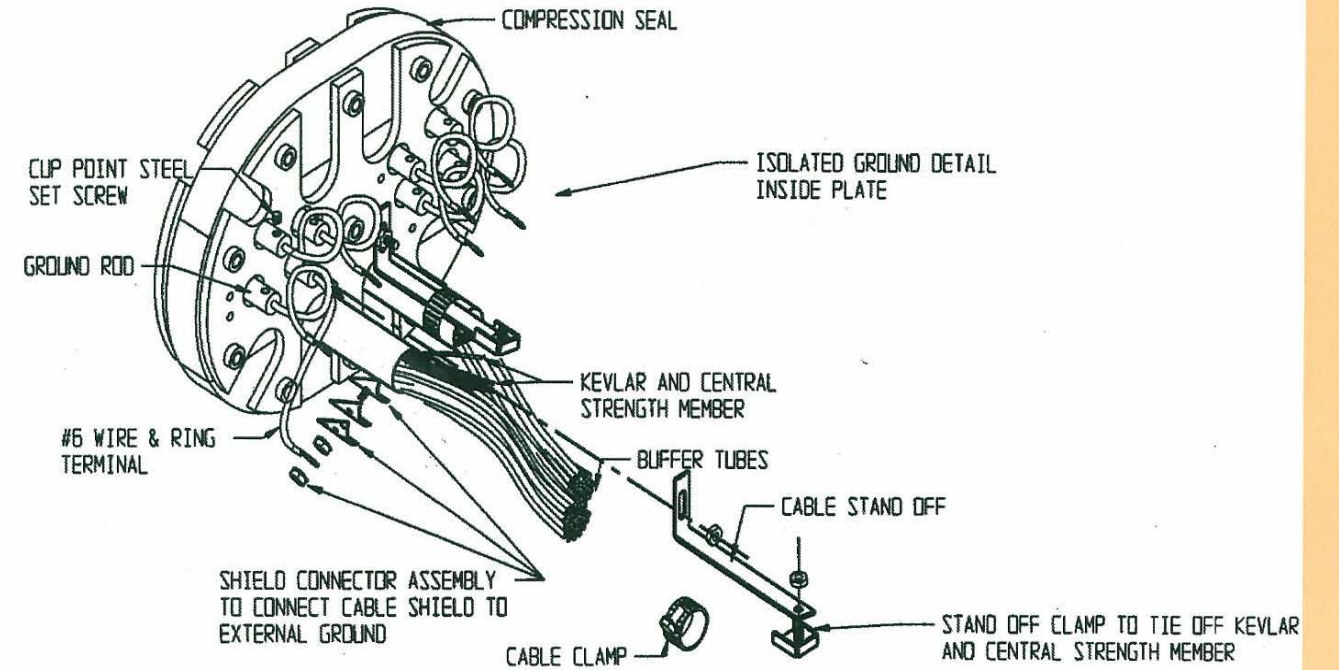
Option 3



Option 4

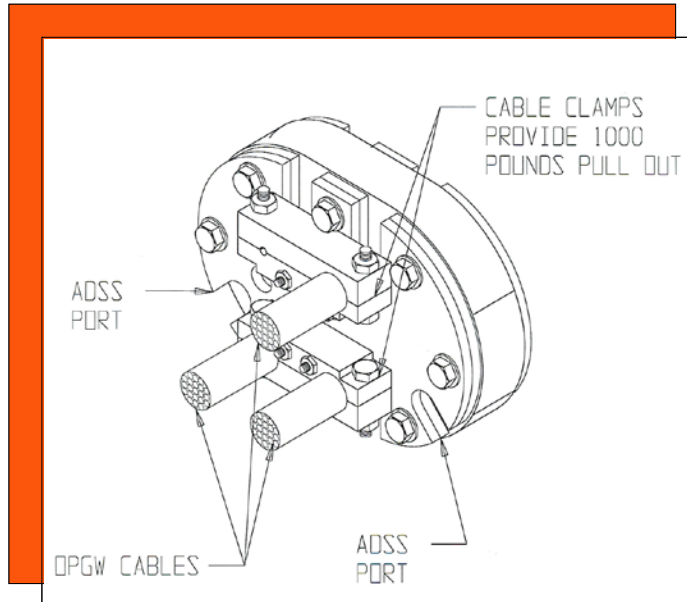
Option 5

ISOLATED GROUND DETAIL

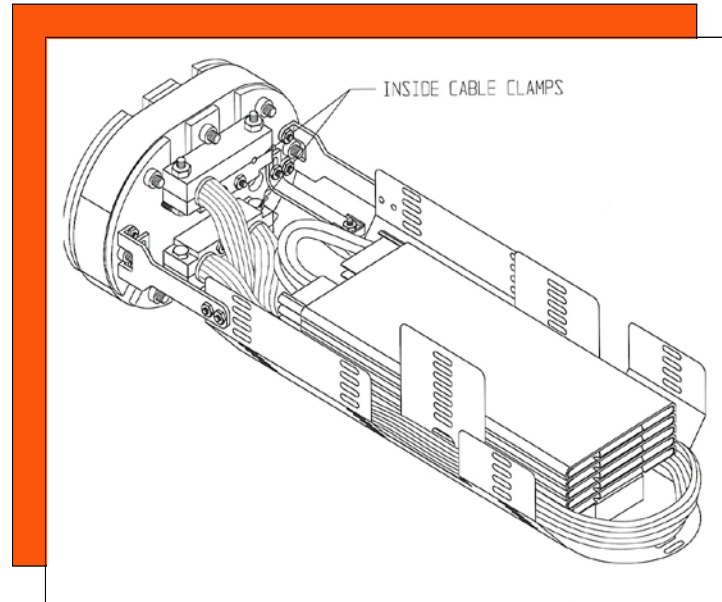


**790-24 SERIES
SPLICE ENCLOSURE**

OPGW Outside Endplate



OPGW Inside View



ORDERING INFORMATION

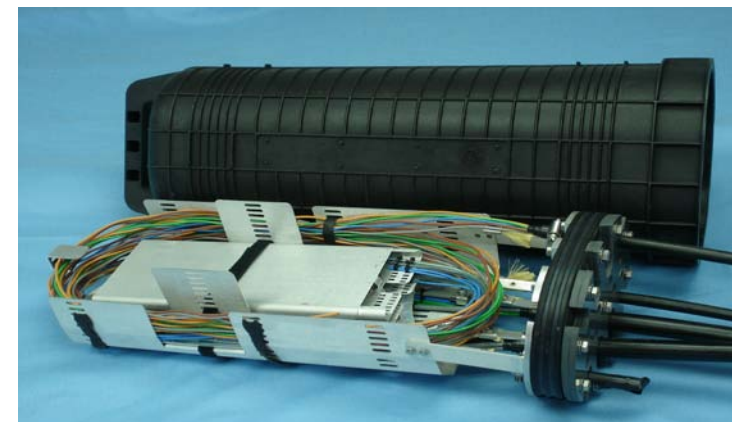
ALL SPLICE CLOSURES ARE EQUIPPED TO INSTALL 4 OF THE 6 CABLE PORTS AND COME WITH A STANDARD STACKING SPLICE TRAY HOLDER

PART #	DESCRIPTION	WEIGHT LBS
790-24-AD	DOME CLOSURE DIELECTRIC END PLATE CONFIGURATION	13
790-24-IG	DOME CLOSURE ISOLATED GROUND END PLATE CONFIGURATION	15
790-24-OPGW	DOME CLOSURE OPGW END PLATE CONFIGURATION	14
790-BRC	14 GA STAINLESS STEEL BULLET RESISTANT CANNISTER	30
205-12	12 FIBER STANDARD SPLICE TRAY SINGLE FIBER SPLICE	.6
205-18	18 FIBER STANDARD SPLICE TRAY SINGLE FIBER SPLICE	.6
205-24	24 FIBER STANDARD SPLICE TRAY SINGLE FIBER SPLICE	.7
790-AB	AERIAL BRACKET	1.2
790-VCB	VERTICAL CLOSURE BRACKET	4
790-IG-CBO	CABLE BUILD OUT KIT FOR 2 ADDITIONAL CABLES W/GROUNDS	1
790-AD-CBO	CABLE BUILD OUT KIT FOR 2 ADDITIONAL CABLES	.3
790-CB	COIL STORAGE BRACKET 60" DIAMETER	35
790-CB3	COIL STORAGE BRACKET 30" DIAMETER	20
790-TPMB	TOWER POST MOUNTING BRACKET	20

Windsor's 790 series fiber optic splice closures are designed with high fiber counts in mind. With current and future bandwidth demand, high fiber counts are becoming more common. Flexibility is also a must for growing metropolitan networks. Windsor's closure line offers a solution for high fiber count and mid-sheath flexibility.

790-24-AD DIELECTRIC END PLATE 790-24-IG ISOLATED GROUND END PLATE

- 8 Cable ports (4 backbone ports accept cable up to 1.25" diameter; 4 lateral ports accept up to .875" diameter)

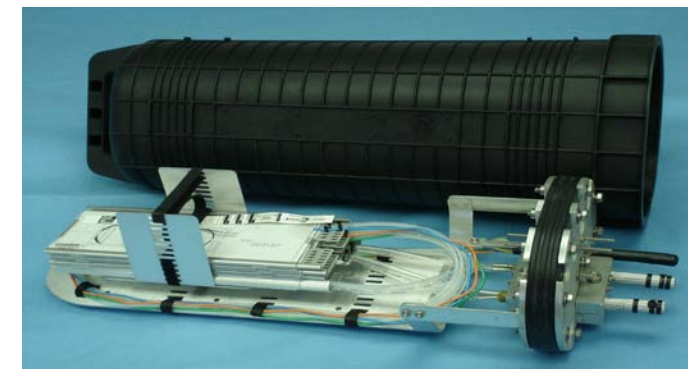


790-24-AD-RM DIELECTRIC END PLATE 790-24-IG-RM ISOLATED GROUND END PLATE

- 8 Cable ports (4 backbone ports accept cable up to 1.25" diameter; 4 lateral ports accept up to .875" diameter)
- Ribbon fiber management platform

790-OPGW OPGW END PLATE

- 8 Cable ports (4 OPGW ports, 4 ADSS or buried lateral cable ports)
- OPGW clamping system has substantial torque resistance and 1000 lbs. pull out strength



DOME DIMENSIONS: 7.5" X 10" OPENING; 26" LONG
FIBER CAPACITY: 790-24-AD & IG = 576; 790-24-AD-RM & IG-RM = 1728
All 790 closures feature split seals (all parts accessible without service interruption)