

THE FOLLOWING SECTIONS PROVIDE INSTRUCTIONS FOR INSTALLING 730-BRC (BULLET RESISTANT CANISTER) AND 730-TPMB (TOWER POST MOUNT BRACKET).

### 13.0 INSTALLATION INSTRUCTIONS-MODEL 730-TPMB

13.1 The 730-TPMB block assembly should be mounted to the tower post angle. Tighten the back nuts of the block assembly in a manner that the bracket will be secure and withstand the weight of the 730-BRC. See fig. 2 for block assembly and tower post angle illustration.

13.2 The top and bottom 730-TPMB should be mounted with the proper spacing to accommodate the 730-BRC mounting holes. See fig. 1 for 730-BRC mounting holes.

13.3 If only the closure is to be mounted with the provided stainless steel bands insure the 730-TPMB with the stainless steel lip/closure rest is mounted on the bottom. The stainless steel lip/closure rest is to provide a surface for the closure to rest for ease of installation.

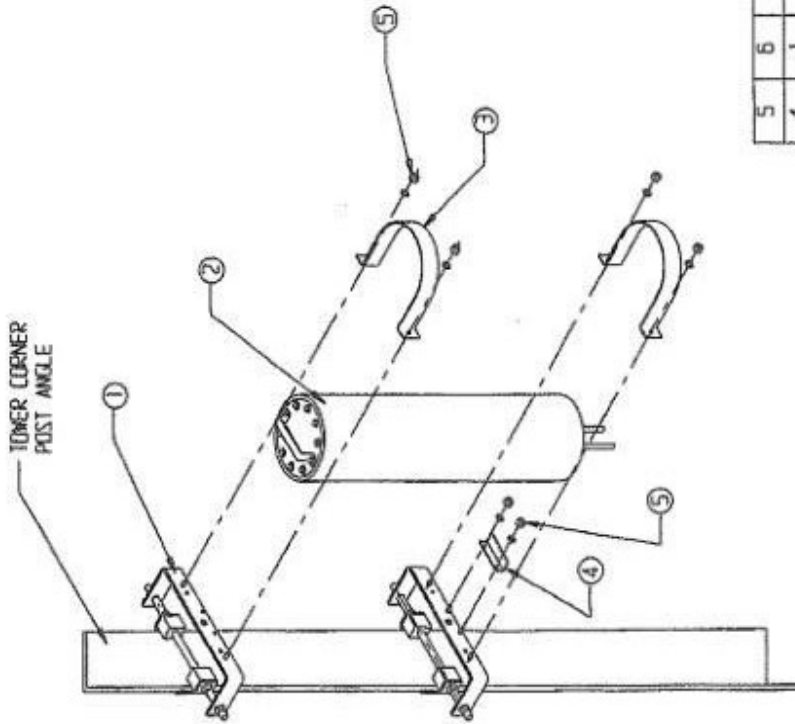
### 12.0 INSTALLATION INSTRUCTIONS - MODEL 730-BRC

12.10 The canister should be mounted to the top and bottom 730-TPMB with the 16 mm bolts provided. See fig. 2 for 730-TPMB canister mount holes. See fig. 1 for 730-BRC for canister mount holes.

12.11 A 2/0 ground lug is provided on the bottom mounting bracket of the 730-BRC.

12.12 Slide the closure into the bottom of the canister and secure it in place with the aluminum rod provided. The aluminum rod is secured with the hairpin clip, and a padlock hole is provided.

THIS DOCUMENT AND THE INFORMATION DISCLOSED HEREON IS CONFIDENTIAL PROPERTY OF WINDSOR COMMUNICATIONS, INC. ALL RIGHTS, PATENT AND OTHERWISE, ARE RESERVED. USE OR DISCLOSURE WITHOUT THE PRIOR WRITTEN CONSENT OF WINDSOR COMMUNICATIONS, INC. IS STRICTLY PROHIBITED. COPYRIGHT © BY WINDSOR COMMUNICATIONS, INC.



ITEM#	QTY.	PART NUMBER	ITEM DESCRIPTION
5	6	516HFN	5/16" HEX NUT
4	1	730-ANGLE	SUPPORT ANGLE
3	2	730-BAND	BAND
2	1	730-XX	SPLICE CLOSURE
1	2	730-TPMB	TOWER POST MOUNTING BRACKET

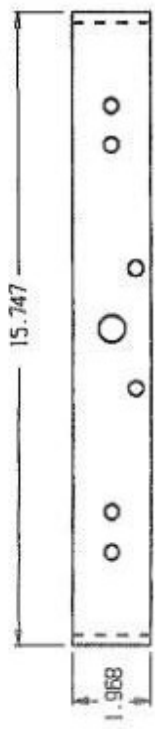
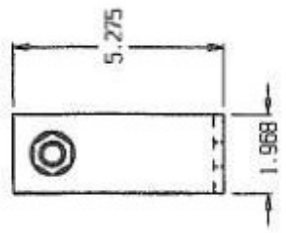
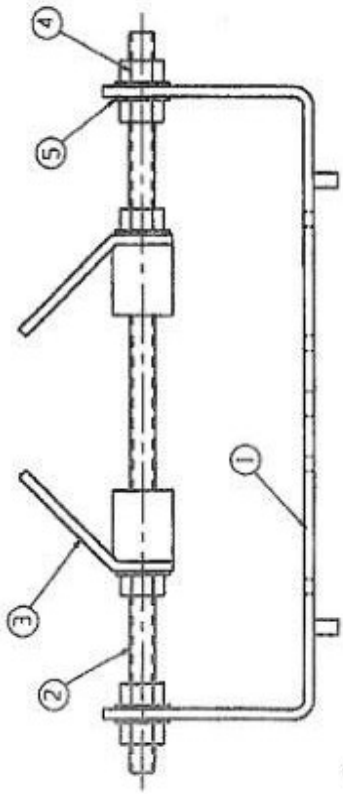
ENGINEER: P. SWITZER  
 DATE: 01/20/97  
 CHECKED BY: J. ROBERTS  
 FILE #: 730TPM8EA  
 UNLESS OTHERWISE NOTED  
 DIMENSIONS ARE IN INCHES  
 TOLERANCE:  
 LINEAR +/- .4  
 ANGULAR +/- 1 DEG.  
 HOLE DIAMETER +/- .13

FINISH: NA  
 CUSTOMER NAME:  
 PROJECT NAME:  
 P. N. 730-TPMB-EA  
 DESC. 730-TPMB AND 730-XX  
 EXPLODED ASSEMBLY

WINDSOR COMMUNICATIONS, INC. (660) 647-3191  
 P.O. BOX 202 WINDSOR, MD. 65360 FAX: (660) 647-3100



THIS DOCUMENT AND THE INFORMATION DISCLOSED HEREON IS CONFIDENTIAL PROPERTY OF WINDSOR COMMUNICATIONS, INC. ALL RIGHTS, PATENT AND OTHERWISE, ARE RESERVED. USE OR DISCLOSURE WITHOUT THE PRIOR WRITTEN CONSENT OF WINDSOR COMMUNICATIONS, INC. IS STRICTLY PROHIBITED. COPYRIGHT © BY WINDSOR COMMUNICATIONS, INC.



5	6	M16 LOCK WASHER	304 S/S
4	6	M16 HEX NUT	304 S/S
3	2	POST ANGLE CLAMP	HIT-DIPPED GALVANIZED
2	1	ANGLE BRACKET ROD	304 S/S ALL THREAD
1	1	ANGLE BRACKET BASE	HIT-DIPPED GALVANIZED
ITEM#	QTY.	PART NUMBER	MATERIAL
FINISH: NA			
<b>WINDSOR</b>			
COMMUNICATIONS, INC. (660) 647-3191			
P.O. BOX 202			
WINDSOR, MD. 65360 FAX: (660) 647-3100			
ENGINEER: P. SNIDER		DATE: 02/10/98	
CHECKED BY: J. ROBERTS		FILE # 7301PM61	
UNLESS OTHERWISE NOTED DIMENSIONS ARE IN INCHES			
TOLERANCE			
LINEAR +/- .4			
ANGULAR +/- 1 DEG.			
HOLE DIAMETER +/- .13			
CUSTOMER NAME:		PROJECT NAME:	
P.N. 730-TPM6		DESC. TOWER POST MOUNTING BRACKET	
REV.		REV.	