

## Closure Options

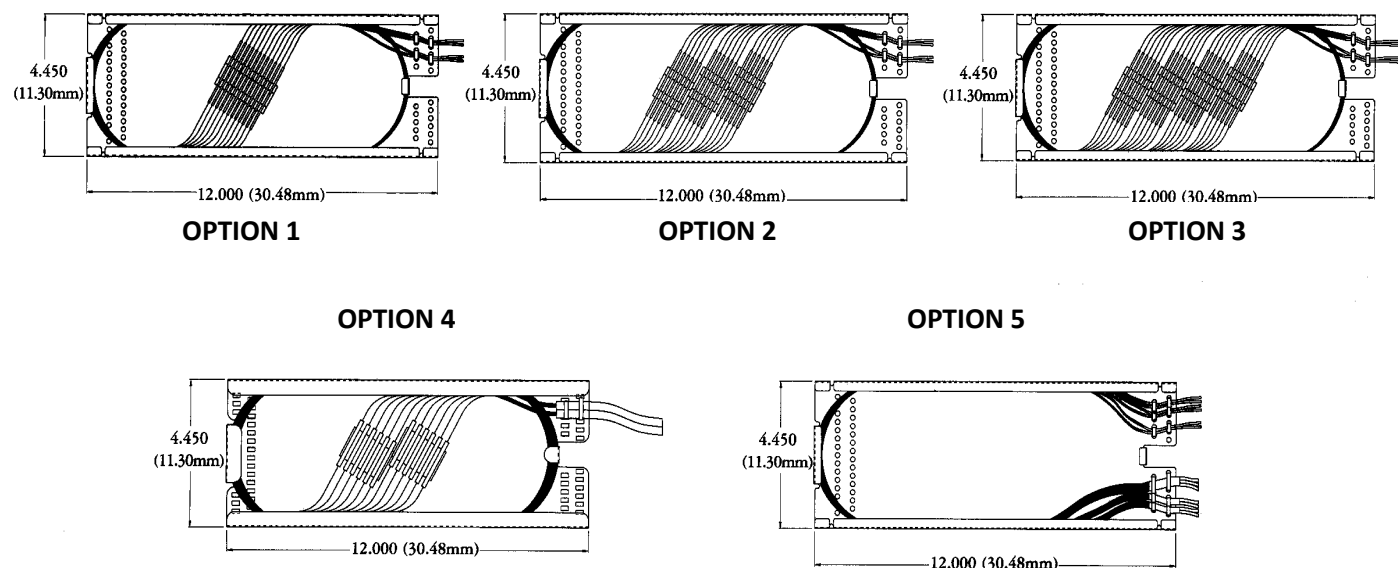
Option #	Part #	Description (6" x 28.75")	Weight lbs
1	720-82	6" Splice Closure For All-Dielectric Cable With Standard PVC Housing	18
2	730-82	8" Splice Closure For All-Dielectric Cable With Standard PVC Housing	29
3	740-82	10" Splice Closure For All-Dielectric Cable With Standard PVC Housing	44
4	720-80	6" Isolated Ground Splice Closure For Shielded Cable With Standard PVC Housing	20
5	730-80	8" Isolated Ground Splice Closure For Shielded Cable With Standard PVC Housing	31
6	740-80	10" Isolated Ground Splice Closure For Shielded Cable With Standard PVC Housing	46

## Housing Options

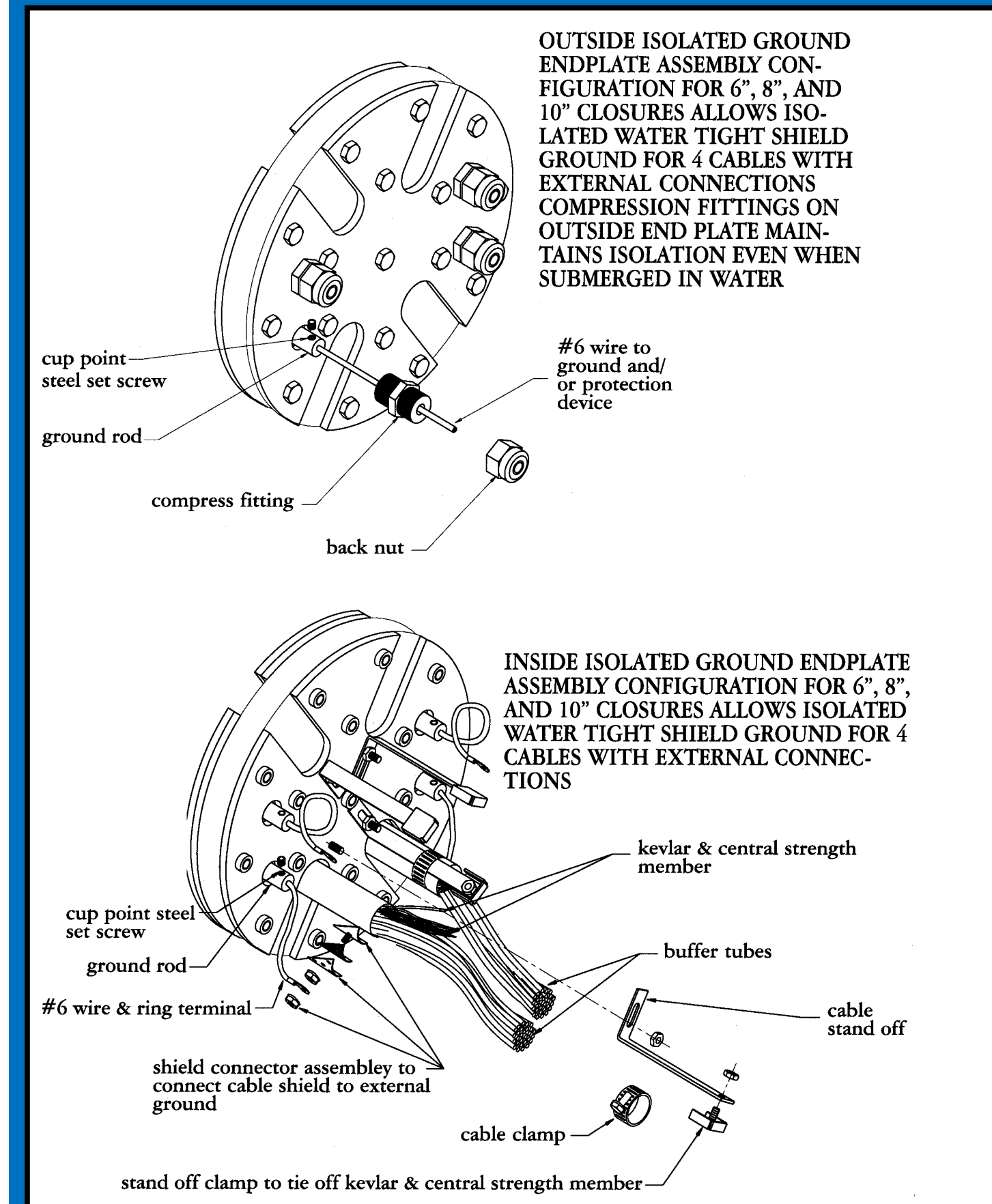
- SCHEDULE 40 UV RESISTANT PVC
- LIGHTWEIGHT EPOXY COATED UV RESISTANT FIBERGLASS
- TYPE 304 STAINLESS STEEL 16ga.

## Splice Tray Options

Option #	Part #	Description	Weight lbs
1	205-12	Splice Tray 12 Fiber With Heat Shrink Fusion Chip	.6
2	205-18	Splice Tray 18 Fiber With Heat Shrink Fusion Chip	.6
3	205-24	Splice Tray 24 Fiber With Heat Shrink Fusion Chip	.7
4	205-144	Splice Tray 144 Ribbon Fiber With Heat Shrink Fusion Chip	.8
5	205-14TT	Transition Tray For Separating Fibers Within A Buffer Tube	.8
		Transition Tray For Separating Ribbon Fibers For Single Fusion	.8
1,2,3,4	100-02	Heat Shrink Fusion Sleeve 2.375" In Length	.2
4	100-02F	Mass Fusion Sleeve For Ribbon Fiber 1.5" In Length	.1



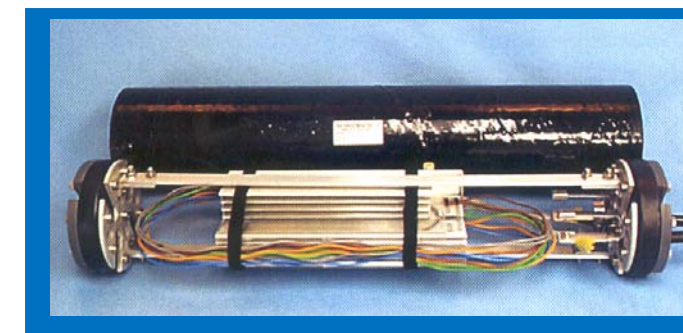
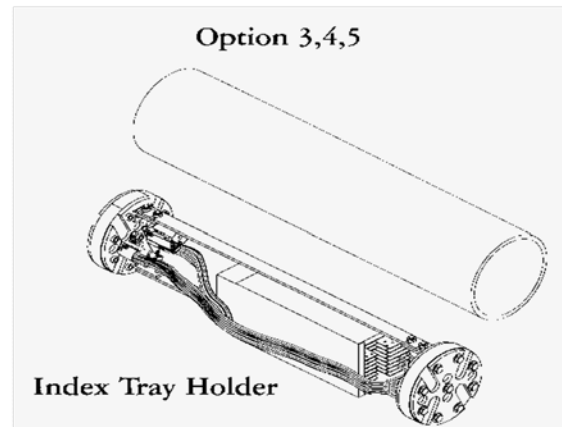
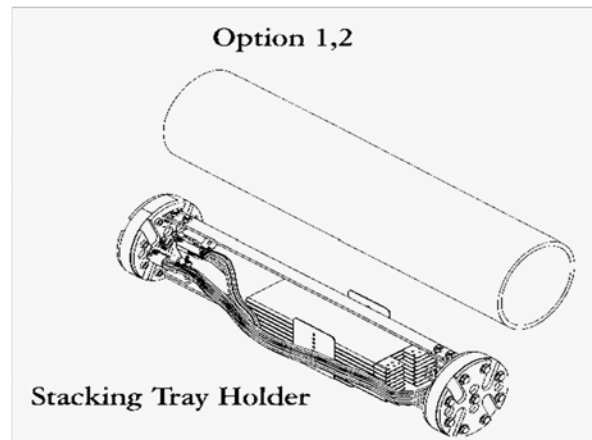
## Isolated Ground Detail



## Splice Tray Holder Options

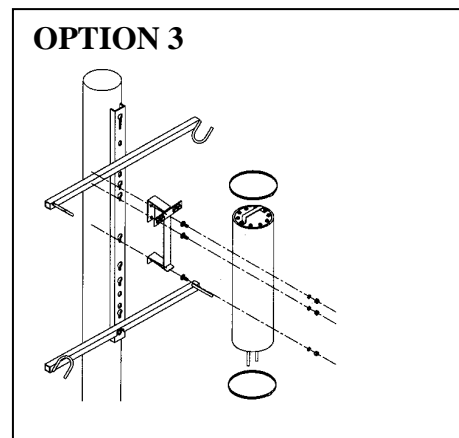
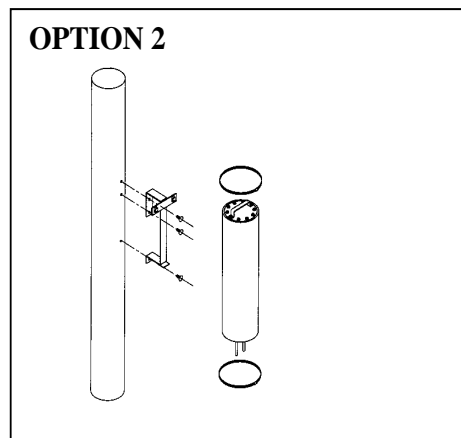
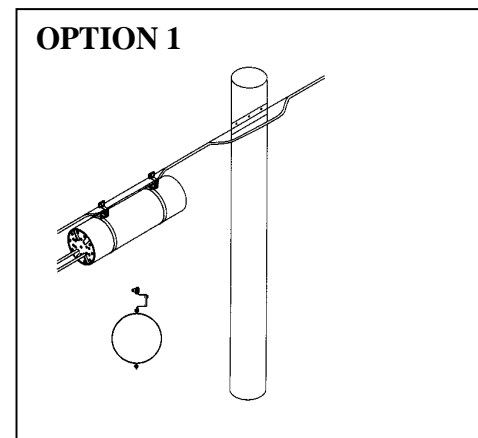
P.O. Box 202  
Windsor, MO. 65360  
Phone: (660)647-3191 Fax: (660)647-3100  
[www.windsorcommunications.com](http://www.windsorcommunications.com)

720-80, 730-80, 740-80,  
720-82, 730-82, 740-82  
**SPLICE CLOSURE**

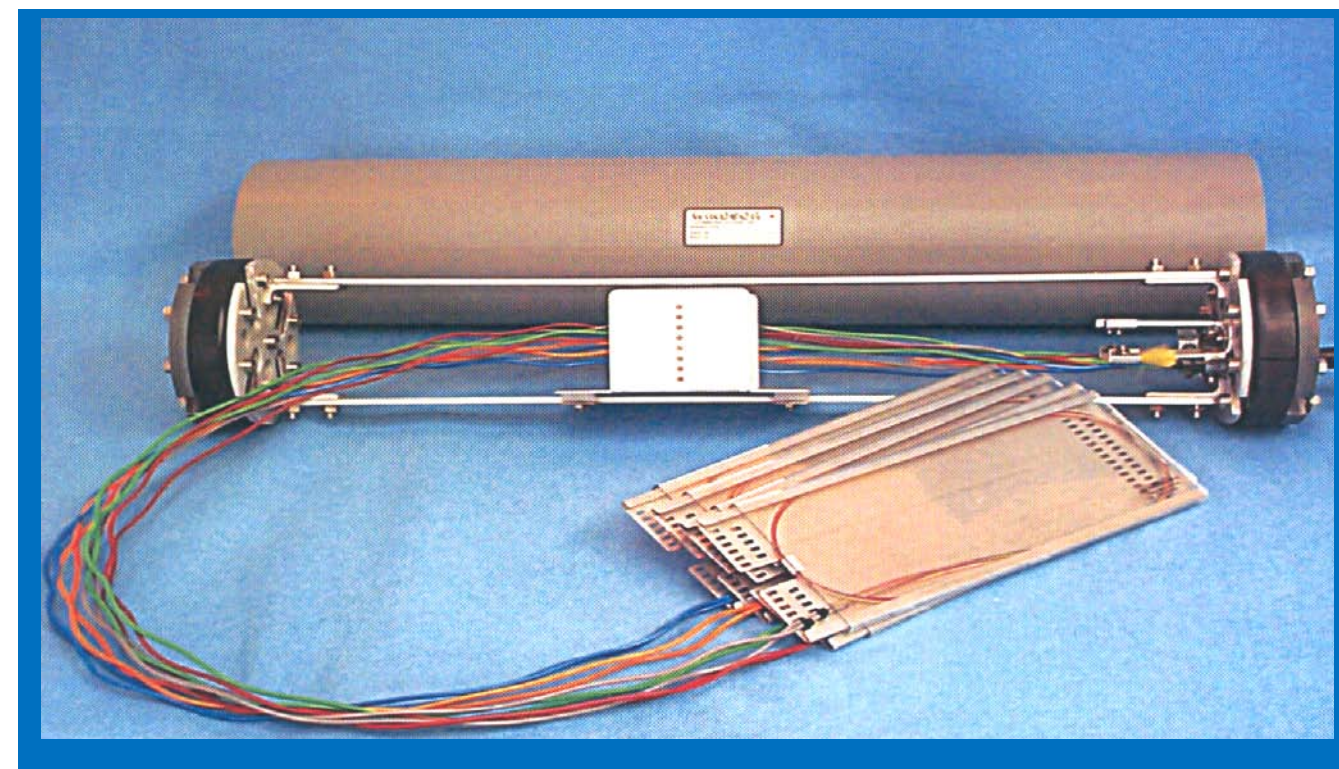


OPTION#	PART #	DESCRIPTION	WEIGHT LBS
1	215-01	Stacking Tray Holder 8 Tray Capacity for 720-82 or 720-80	.6
2	215-04	Stacking Tray Holder 12 Tray Capacity for 730-82 or 730-80	.7
3	216-01	Index Tray Holder 8 Tray Capacity for 720-82 or 720-80	1.75
4	216-04	Index Tray Holder 15 Tray Capacity for 730-82 or 730-80	3
5	217-04	Index Tray Holder 20 Tray Capacity for 740-82 or 740-80	3.75

## Mounting Options



OPTION #	PART #	DESCRIPTION	WEIGHT LBS
1	720, 730, 740-010	Aerial Hanging Bracket Adjustable	720- 1 730- 1.3 740- 1.5
2	700-VCB	Vertical Closure Bracket	4
3	730-CB	Service Cable Coil Storage Bracket 60"	35
4	730-CB3	Service Cable Coil Storage Bracket 30"	20



### The Advantages:

- **Elastomeric UV resistant polyurethane compression seal ensures watertight seal.**
- **No sealing tape or special kits required.**
- **Re-entry is simple and quick requiring no special tools, parts, kits, or training.**
- **Factory drilled or field drillable end seal.**
- **Slotted end plate and split seal allows for easy access to cables without service interruption.**